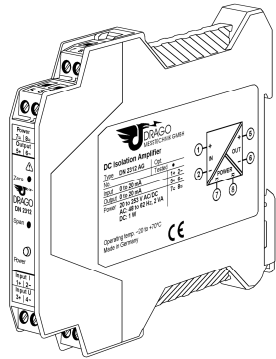


Isolation Amplifier DN 2300



Read these instructions before using the product and retain for future information.

DN 2300

2. Short Description

The 3-way isolation amplifier is used for electrical isolation of 0(4) - 20 mA signals. The Zero/Span Adjustment on the front allow a fine-tuning of the measurement loop.

The 3-way isolation guarantees reliable decoupling of the sensor circuit from the processing circuit and prevents linked measurement circuits from influencing each other. The Protective Separation with high isolation level provides protection for personnel and downstream devices against impermissibly high voltage.

3. Functioning

The input signal is modulated and then electrically decoupled using a transformer. The isolated signal is then made available at the output, demodulated, filtered and amplified.

4. Equipment

A screwdriver with a width of 2.5 - 3.5 mm is required to connect the wires to the screw clamp terminals.

5. Mounting, Electrical Connection

The isolation amplifier is mounted on standard 35 mm DIN rail.

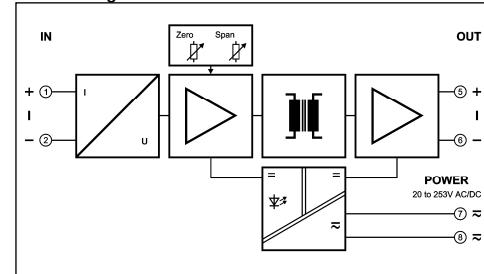
Terminal assignments	
1	Input +
2	Input -
5	Output +
6	Output -
7	Power supply =
8	Power supply =

6. Technical Data

Input	
Input signal	0(4) - 20 mA
Input resistance	Approx. 25 Ω
Overload	≤ 200 mA
Output	
Output signal	0(4) - 20 mA
Load	≤ 600 Ω
Linear transmission range	- 2 ... + 110 %
Ripple	< 10 mV _{rms}
General data	
Transmission error	± 0,1 % of end value
Temperature coefficient ¹⁾	± 100 ppm/K of end value
Zero/Span Adjustment	± 5 % of end value
Cut-off frequency (-3 dB)	> 1 kHz
Test voltage	4 kV, 50 Hz Input against output against power supply
Working voltage ²⁾ (Basic insulation)	600 V AC/DC for overvoltage category II and contamination class 2 acc. to EN 61010 part 1
Protection against dangerous body currents ³⁾	Protective Separation by reinforced insulation acc. to EN 61010 part 1 up to 300 V AC/DC for overvoltage category II and contamination class 2 between input and output and power supply.
Ambient temperature	Operation - 20 °C to + 70 °C (-4 to 158 °F) Transport - 35 °C to + 85 °C (-31 to 185 °F) and storage
Power supply	20 to 253 V AC/DC AC 48 ... 62 Hz, approx. 2 VA DC approx. 1,0 W
EMC ³⁾	EN 61326 -1
Construction	12,5 mm (0.5") housing, protection type: IP 20
Connection	≤ 2.5 mm ² , AWG 14
Weight	Approx. 100 g

- Average TC in specified operating temperature range
- As far as relevant the standards and rules mentioned above are considered by development and production of our devices. In addition relevant assembly rules are to be considered by installation of our devices in other equipments. For applications with high working voltages, take measures to prevent accidental contact and make sure that there is sufficient distance or insulation between adjacent situated devices.
- Minor deviations possible during interference

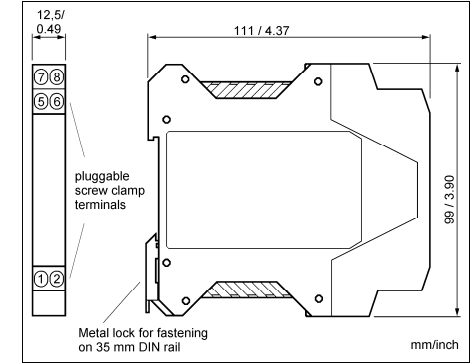
7. Block Diagram



8. Order Information

Product	Input / Output	Part No.
Isolation Amplifier	0(4) - 20 mA / 0(4) - 20 mA	DN 2312 AG

9. Dimensions



1. Before Startup



When operating the isolating amplifier, certain parts of the module can carry dangerous voltage! Ignoring the warnings can lead to serious injury and/or cause damage!

The isolation amplifier should only be installed and put into operation by qualified staff. The staff must have studied the warnings in these operating instructions thoroughly.

The isolation amplifier may not be put into operation if the housing is open. The adjustment with the potentiometer on the front may only be carried out with a screwdriver which is securely insulated against the input voltage!

In applications with high operating voltages sufficient distance and isolation as well as shock protection must be ensured.

Safe and trouble-free operation of this device can only be guaranteed if transport, storage and operation are carried out correctly and operation a maintenance are carried out with care.



Appropriate safety measures against electrostatic discharge (ESD) should be taken during range selection and assembly on the transmitter.

LIMITED WARRANTY

DRAGO Messtechnik GmbH hereby warrants that the Product will be free from defects in materials or workmanship for a period of **five (5) years** from the date of delivery ("Limited Warranty"). This Limited Warranty is limited to repair or replacement at DRAGO's option and is effective only for the first end-user of the Product. This Limited Warranty applies only if the Product:

- is installed according to the instructions furnished by DRAGO;
- is connected to a proper power supply;
- is not misused or abused; and
- there is no evidence of tampering, mishandling, neglect, accidental damage, modification or repair without the approval of DRAGO or damage done to the Product by anyone other than DRAGO.

Delivery conditions are based upon the „GENERAL CONDITIONS FOR THE SUPPLY OF PRODUCTS AND SERVICES OF THE ELECTRICAL AND ELECTRONICS INDUSTRY“ recommended by the Zentralverband Elektrotechnik- und Elektronikindustrie (ZVEI) e.V. .

Subject to change!

DRAGO Messtechnik GmbH
Waldstrasse 86 - 90
13403 BERLIN
GERMANY

Phone: +49 (0)30 40 99 82 - 0
Fax: +49 (0)30 40 99 82 - 10

E-Mail: info@drago-messtechnik.de
Internet: www.drago-messtechnik.de